



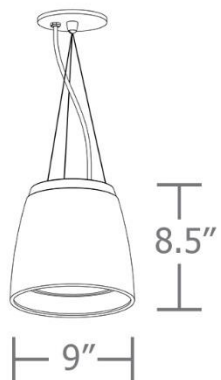
top.ls.tiki.up™ 5-slider

your lighting rep has
recommended the
top.ls.tiki.up™ direct/indirect
pendant for your project
Let's take a quick look:

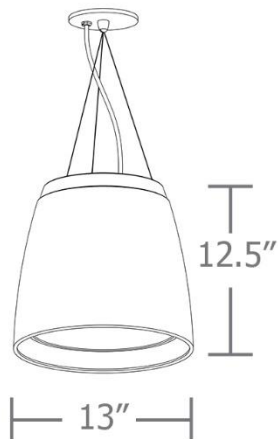


sizes and lumens

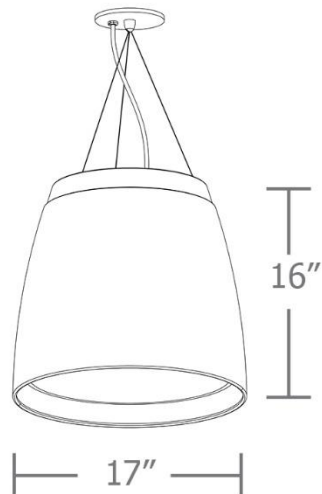
P5909



P5913

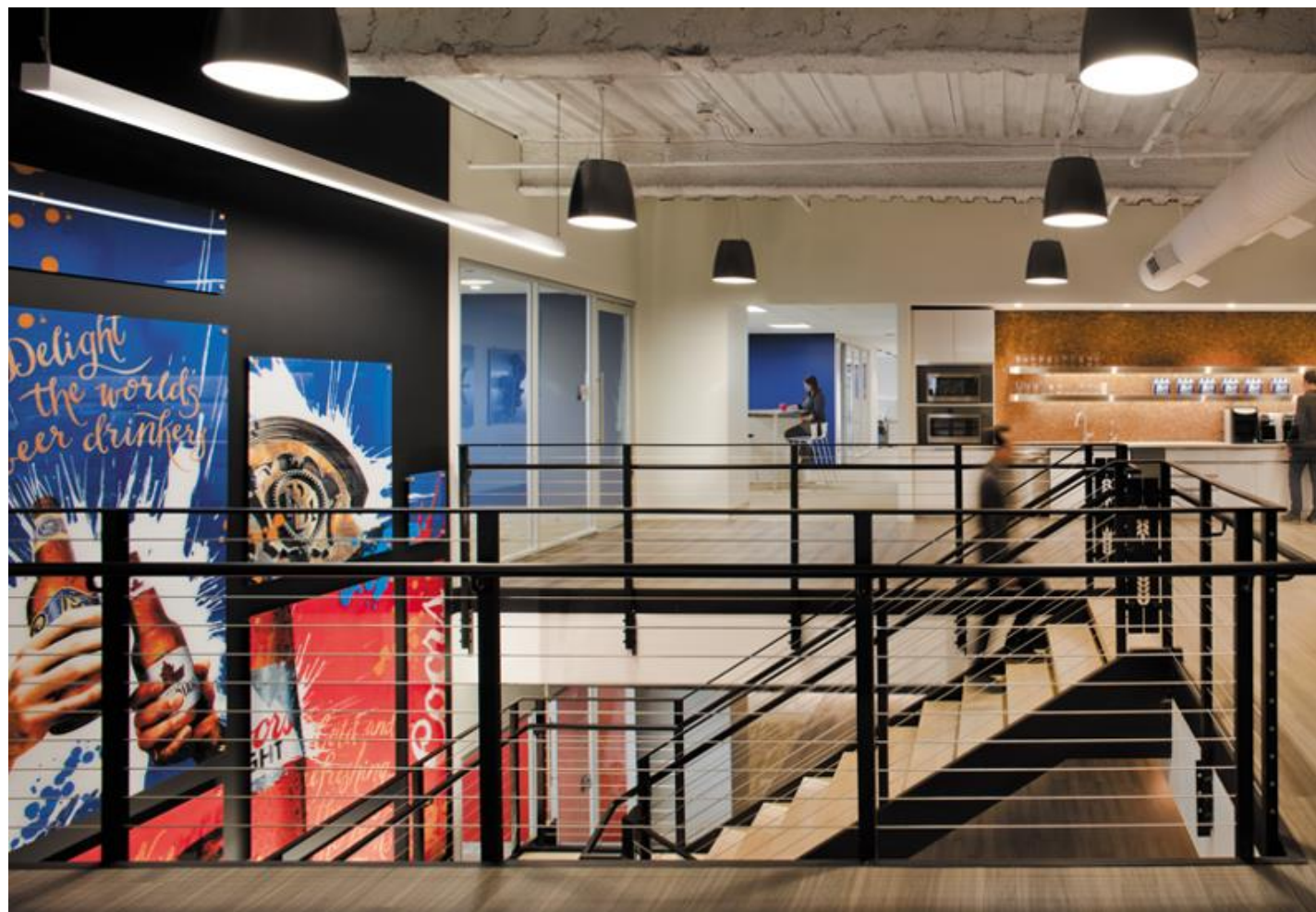


P5917



direct / indirect

- P5909 (9"): 995–2780 lm / 970 lm
- P5913 (13"): 1585–4120 lm / 775-1940 lm
- P5917 (17"): 2580–4985 lm / 775-2135 lm



top.ls.tiki.up™ 5-slider



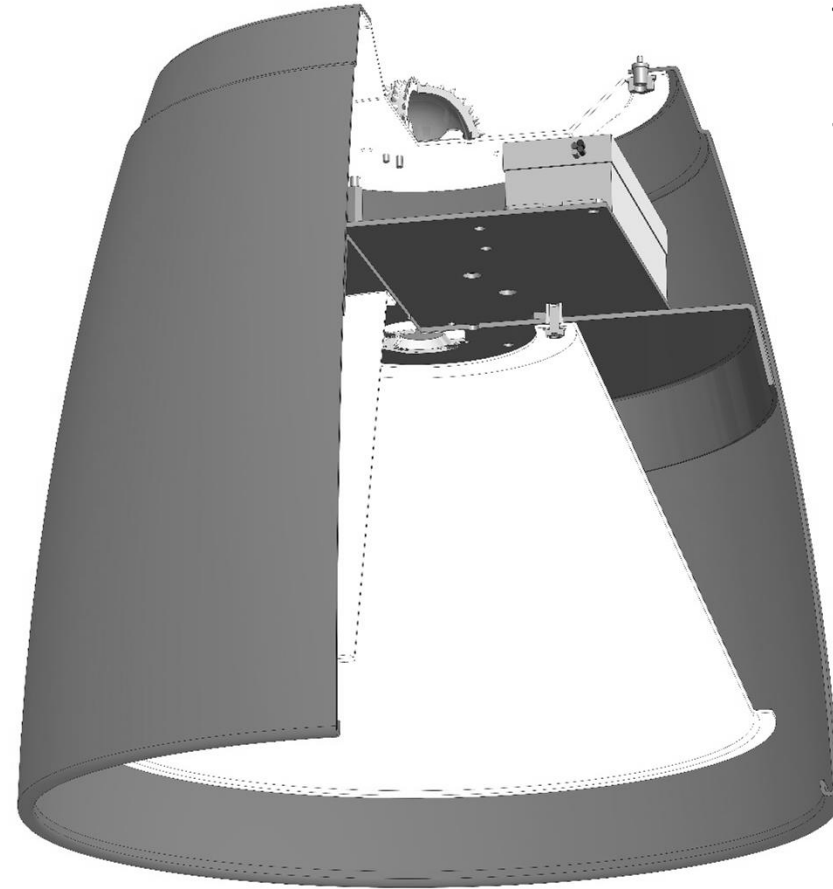
construction

5" dia. mounting canopy with ultrathin stainless steel
Wisp® cable tripod and tiny field adjustable grippers
for exact mounting height

integral drivers, field maintainable,
universal input (120-277v), 0-10v
controllable to 1% dimming.

precision CNC spun aluminum
tapered drum with rolled bottom
edge for added strength

15 standard powder coat paint
finishes + custom RAL colors




spun aluminum up light platform
recesses into top of housing.
340° omnidirectional silicone optic

COB LED modules – direct/ Indirect
90+ CRI standard.
2700K, 3000K, 3500K and 4000K.
Dual circuit dimming available – requires
2nd power cord.

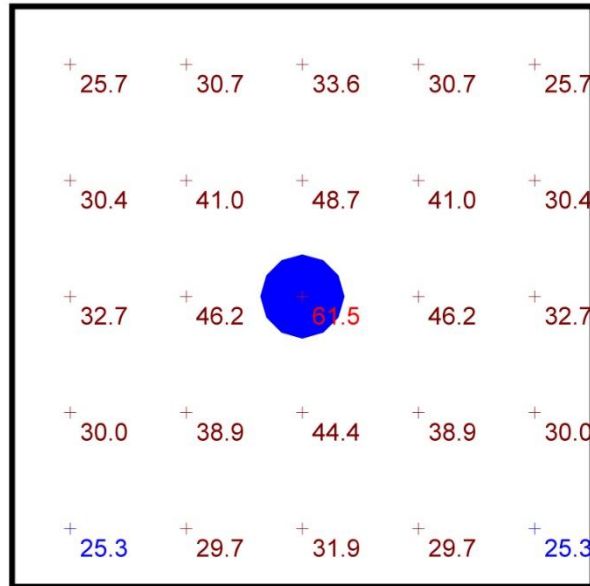
spun aluminum inner conical reflector
finished in high reflectance (>92%)
matte white powder coat paint

downlight portion either open
or optional flat frosted acrylic lens

performance

Schedule						
Symbol	QTY	Manufacturer	Catalog Number	Description	Lamp	Wattage
	1	Impact Architectural Lighting	P5917 40 HX 40 HI	17" dia. pendant top.ls.tiki.up luminaire w/ open bottom	4000k 90cri LED	73

Statistics						
Description	Symbol	Avg	Max	Min	Max/Min	Avg/Min
top.ls.tiki.up	+	35.1 fc	64.9 fc	26.5 fc	2.4:1	1.3:1



Plan View
Scale - 1" = 2ft

- 10' x 10' x 16'H space
- 80/50/20 reflectances
- bottom of fixture at 12' aff
- FC readings at 2.5' aff
- layout conducted using P5917-40HX-40HI lumen package (4985 lm direct / 2135 indirect delivered lumens)





www.impactltg.com

- spec sheet and color chart
- photometric files
- built to order in Saint Louis, MO, USA
- 4-week lead time

top.ls.tiki.up™ 5-slider

